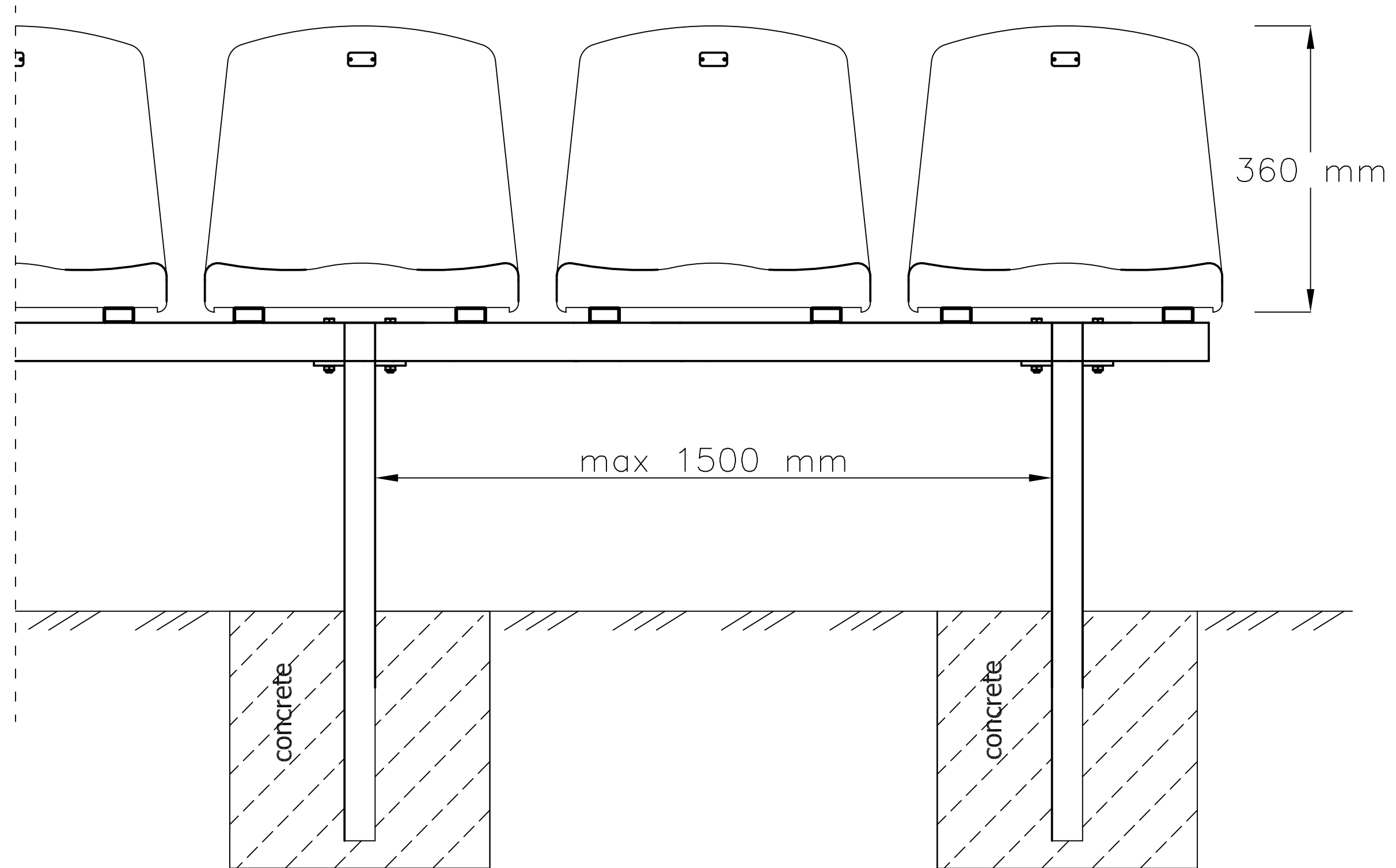
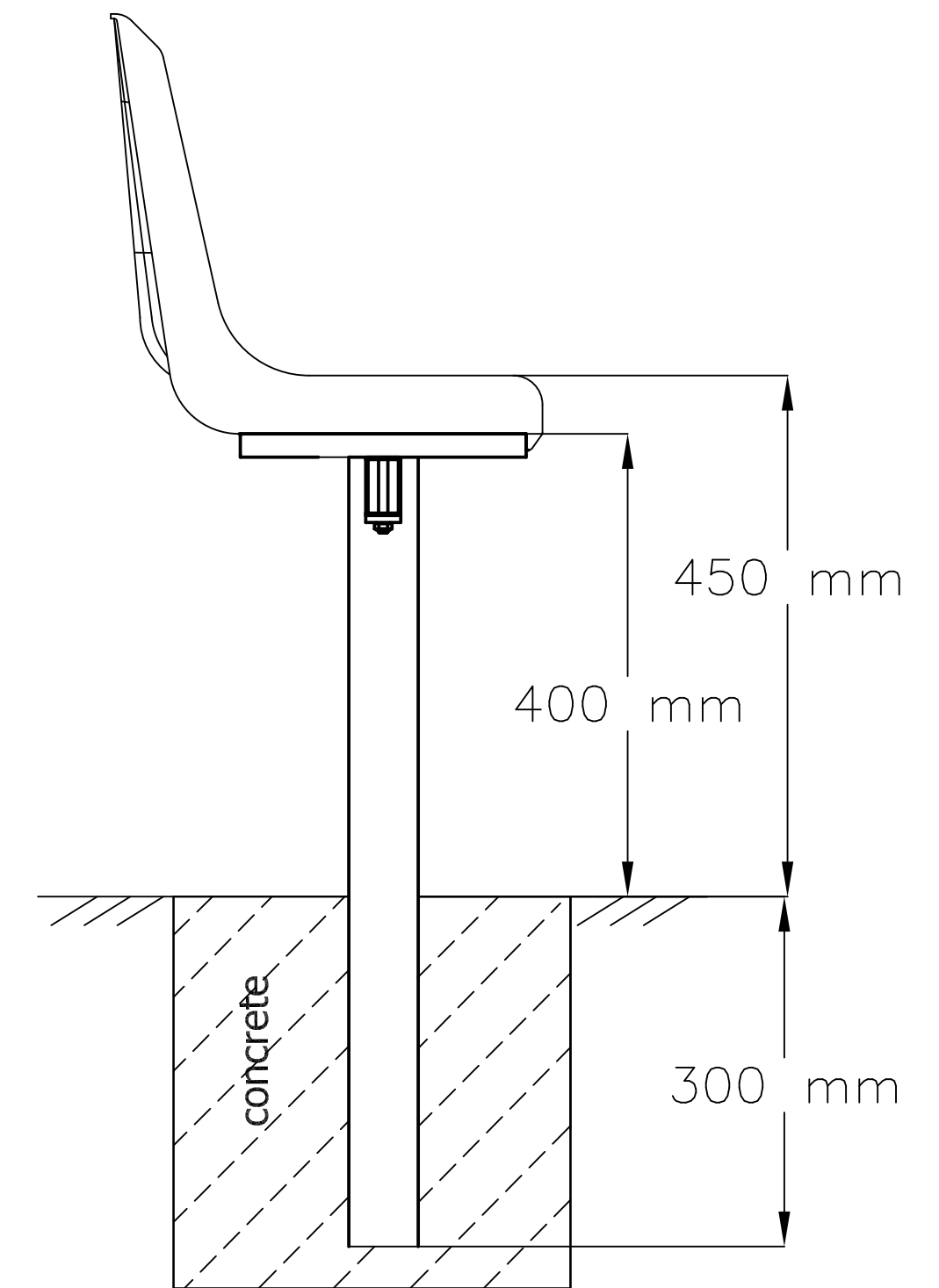


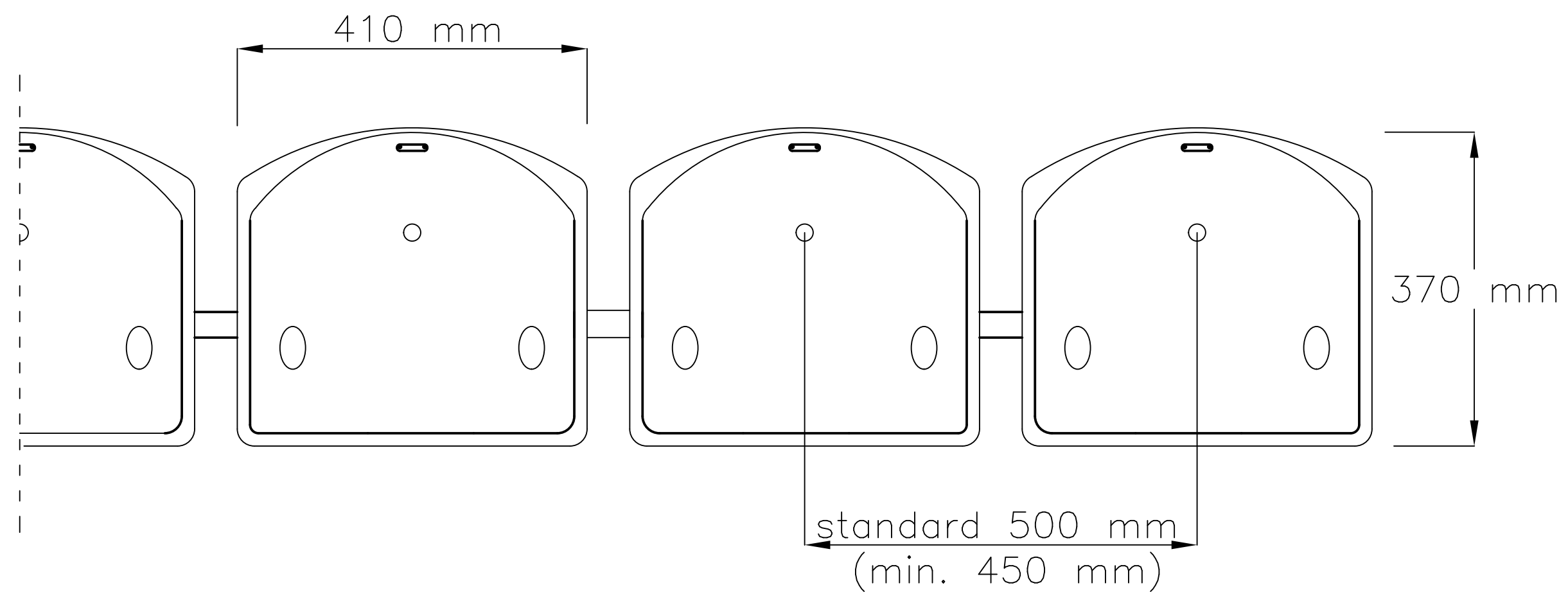
FRONT VIEW



SIDE VIEW



TOP VIEW



**WO-03 STADIUM SEAT:**

**- standing support structure  
to be concreted**