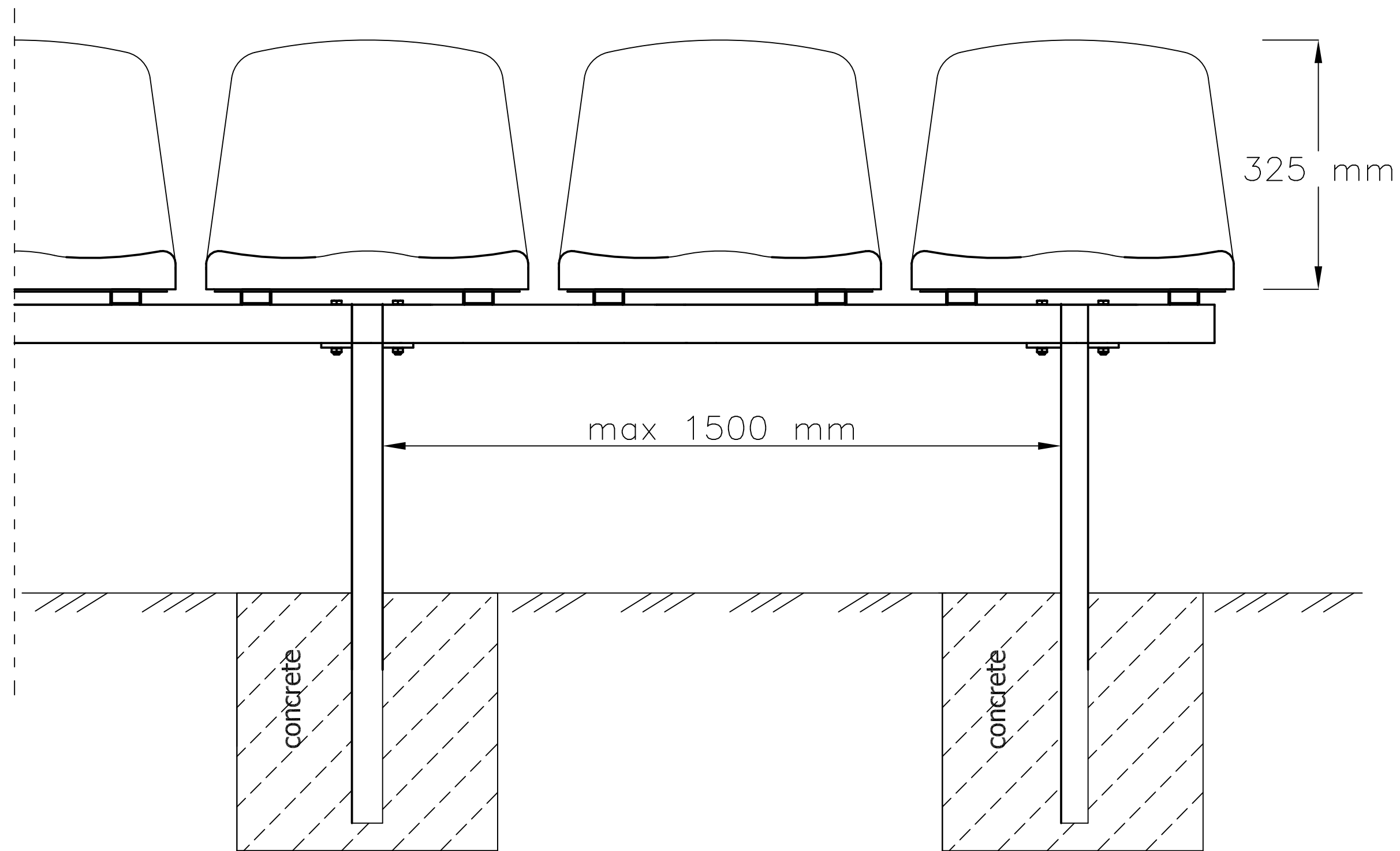
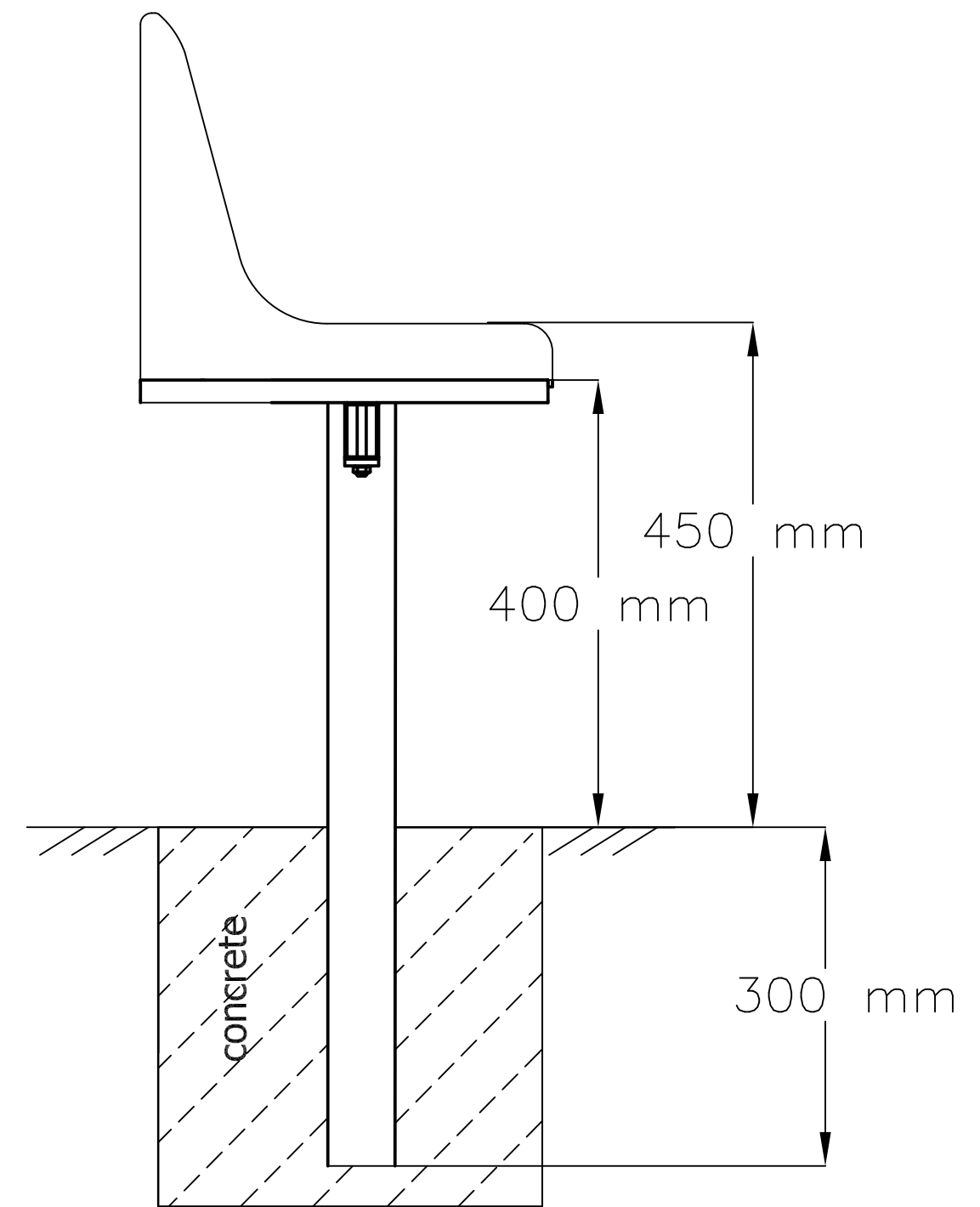


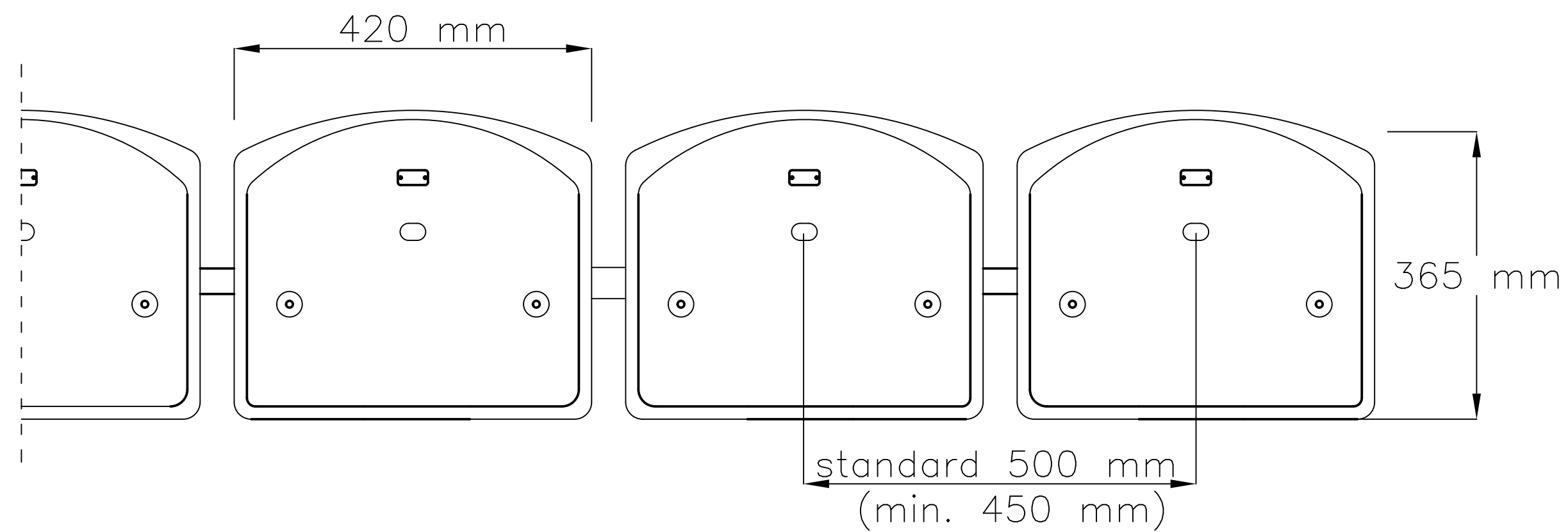
FRONT VIEW



SIDE VIEW



TOP VIEW



WO-06 STADIUM SEAT:

**- standing support structure
to be concreted**